



**ETI Smart**

Demand Controller  
Solar Pump Controller  
Prepayment Controller

# Power Saver Timer/Controller

## TIMR15Z / TIMR60Z TIMR15A / TIMR60A



### Description

***Country's First Microprocessor and RTC Based Power Saver Timer with Advanced Inbuilt Load Limiting Latching Relay and Energy Management Capabilities . Single Unit for Metering, Protection and Control.***

Power Saver Timer is an advanced microprocessor based product, designed to control the "Power On" & "Power Off" timing, using a high accuracy real time on board chip. The product eliminates the need of bulky disconnection devices and provides protection against over voltage & over currents.

### SpecialFeatures

- Microprocessor and Hi accuracy RTC
- Field Programmable "ON-OFF" Timing
- Field Programmable "Load Control Setting"
- Protection against Over Voltage and Over Current.
- Single unit for Metering, Protection and Control.
- Elimination of the need of bulky external components like Contactor, Meter, Timer.
- Rugged Polycarbonate BODY with Heavy Terminals
- Ultra Modern Inbuilt 60Amps "Latching Relays" with Low Power Consumption.
- Live monitoring of data into your PC through GPRS.
- Fault occurring or ON-OFF time setting from / to mobile through GSM Modem
- Customer behavior pattern
- Password Protected



## Technical Specification

Product Code	TIMR15Z/TIMR25Z / TIMR60Z
Enclosure	Engineering Plastic
Connection	1 Phase 2 Wire
Dimension	128X164X90 MM
Display	LCD With Backlit
Display Parameters	V, I, F, PF, kW, kWh
Accuracy	Class 1.0
Voltage Input	165-275 (Ph-N)
Current Input	Up to 60Amp
Auxiliary Supply	Self Powered

## Special Features

Sampling Rate	3 per second
Communication	RS-485 Optional
Time Setting	Field Programmable / Monthly / Yearly
Protection	Over Voltage / Over Current
Relays	Inbuilt Latching Relay for Disconnection
Microprocessor	32 Bit Micro
Power Supply	SMPS
S/W Protection	Password protected
Terminal	Case Clamp Type
RTC	Real Time Clock Based
Display	LCD STN
PCB	Paper Phenolic FR4 Grade
Insulation	2KV

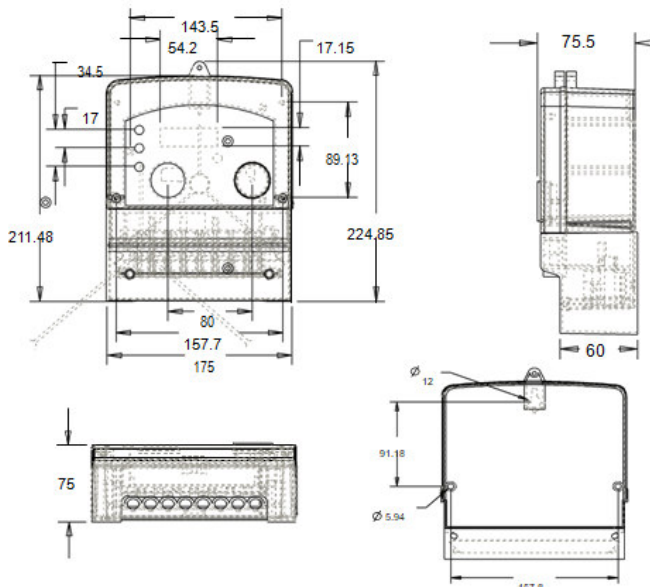
## Applications

- Malls / Hoardings
- Banks / ATMs
- Schools
- Hotels
- Street Light Control
- Educational Institutions
- Hospitals
- Offices / Residential Complexes

## Connection Diagram



## Dimension Details



# Enertrak

IT-3EPIP, Sitapura Industrial Area,  
Jaipur, Rajasthan; 302022

[www.enertrak.in](http://www.enertrak.in)  
[ak.enertrak@gmail.com](mailto:ak.enertrak@gmail.com)  
 #+91-9549061797