

Display parameter sequence

Eb kWh	XXXXXXX.X
DG kWh	XXXXXXX.X

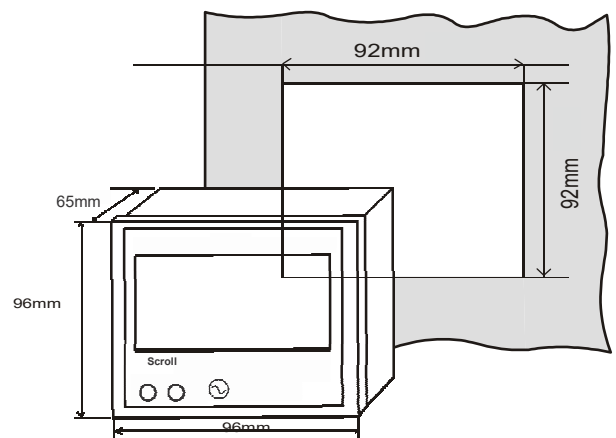
For programming mode follow the below mentioned steps

1. Press both key simultaneously to enter in Programming mode. the meter shall prompt for password. The default password is 1000.
2. Meter displays "P 0000".
3. Press right button 1 time, first digit starts blinking
Press right key to change first digit from 0-9 and press left key to go to the second digit.
4. By repeating the above steps, get the password as "1000".
5. Press Left Key to go the second screen to set desired CT value by using step 4 and it shows "P 0005"
6. After entering the desired CTP, press left key to proceed to the third screen. The default screen shows "CLrE" in the first row .
7. In case we wish to clear the Eb & DG kWh press right key three times. The last screen shows "CLr" ??? indicating that the Eb & DG kWh has been reset to zero.
8. Press Left key to go to the next Screen and is used to save values. press right key to save values. The default show "save Yes" .
By using left key can select yes/no option.
Press right switch meter show "done".

Technical Specification

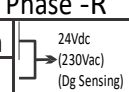
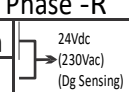
Enclosure	Engineering Plastic
Dimension	96 X 96X65 mm
Connection	3P 4W
Digit size	10x6mm
Number of digit	6
Display	1-Line FND
Type	Dual Source
Measurements	kWh
Class of Accuracy	Class 1.0
Current input	CT primary
Voltage input	80 to 440 V(L-L)
Frequency	50 Hz \pm 5%
Aux. Supply	40-300Vac

Cutout Diagram



Connection Diagram

1. As per the sticker pasted on the T block of Meter.
2. T-Block Specification Table.

Terminal No.	Specification	Terminal No.	Specification
1.	Neutral	9.	CT Phase -R
2.	Voltage Ph -R	10.	CT Phase -R
3.	Voltage Ph -Y	11.	Ph 
4.	Voltage Ph -B	12.	N 
5.	CT Phase -B	13.	RS-485 A
6.	CT Phase -B	14.	RS-485 B
7.	CT Phase -Y	15.	Aux. Supply-Ph
8.	CT Phase -Y	16.	Aux. Supply-N